

Trifecta™ Pre-Adjusted Hub Assembly - New Part Numbers

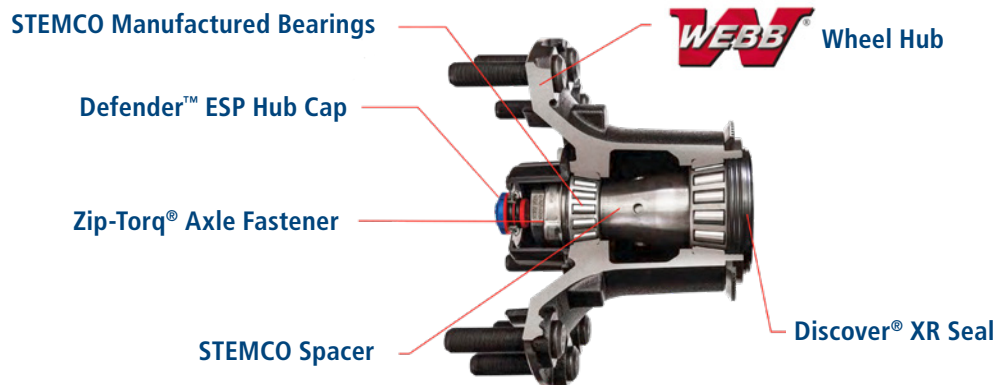
To: All Distributors of STEMCO Wheel End Products

STEMCO is pleased to announce the availability of FL Steer Axle applications for our innovative Trifecta pre-adjusted wheel end system, providing safety, performance, and confidence. The new part numbers and applications below are available as of the date of this announcement. For aftermarket steer axle applications, the STEMCO Defender ESP hubcap is included.

Trifecta™ Pre-Adjusted Hub Assembly

ASSEMBLY PART NO.	DESCRIPTION
453-0164	FL Steer, 22K, 2.58" Wheel Stud, Iron Hub, w ABS
453-0264	FL Steer, 22K, 3.35" Wheel Stud, Iron Hub, w ABS
453-0364	FL Steer, 22K, 3.03" Wheel Stud, Iron Hub, w ABS

NOTE: Initial part numbers available for **truck applications only** and are approved for oil bath applications only. Failure to run Trifecta wheel end systems with oil will result in loss of warranty.



Thank you for your continued support of STEMCO.